

91PS and 93PS - New features and updates

Topics

1. External common battery
2. 6 units of 93PS in parallel (not applicable for 91PS)
3. Easier cabling and top/bottom cabling

1. External Common battery

Eaton 91PS and 93PS now support a common battery bank for two or more UPS's connected in a parallel configuration. This is an ideal solution for cost-driven customers who are looking to optimize the cost and size of their back-up power supply.

External common battery can be used to optimize the cost of the battery bank. By using multiple strings of batteries in the battery bank, you can still also keep the same redundancy/resiliency of the system.

To use this feature, the Advanced Battery Management system (ABM) must be disabled. The automatic battery test associated with ABM must also be disabled.

A separate isolation device must be installed between each UPS and the common DC busbar. A protective device (fuse or breaker) must be installed for each battery string.

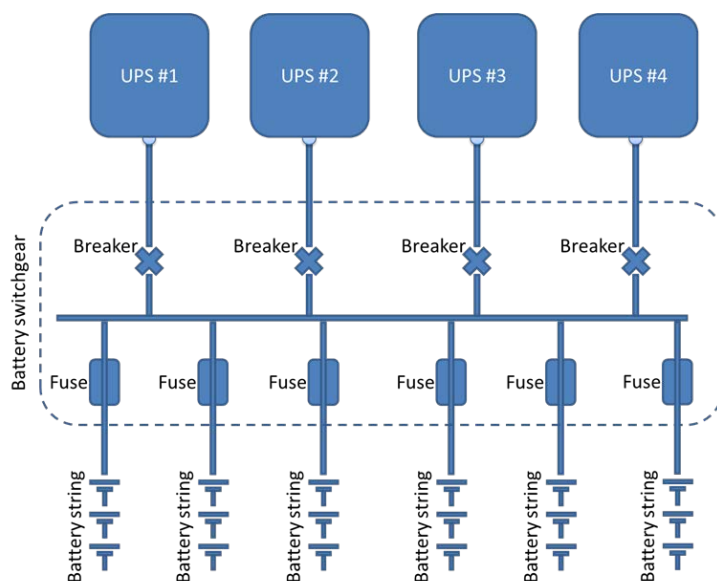
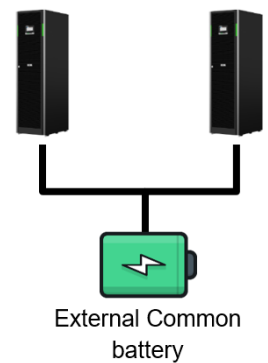


Figure 1 Wiring diagram for external common battery installation

2. 6 units of 93PS in parallel (not applicable for 91PS)

6 units in parallel for the 93PS is now validated, extending the system power range up to 240 kVA for the product family.



6 x 93PS in parallel

3. Easier cabling and top/bottom cabling

We have received feedback that the cabling of the 91PS and 93PS can be difficult because of the space available at the customer connection section. We have therefore designed accessories to help in these situations. These “power cable boxes” can also be useful when using top or bottom cabling, as the gland plates can be positioned so that the cables exit straight upwards or downwards.

There are two versions, one for the 15/20 kW frame and one for the 30/40 kW frame:

P-103002588 KIT 93PS-20 POWER CABLE BOX (available)

P-103003732 KIT 9XPS-40 POWER CABLE BOX (will be launched during Q2/2019)

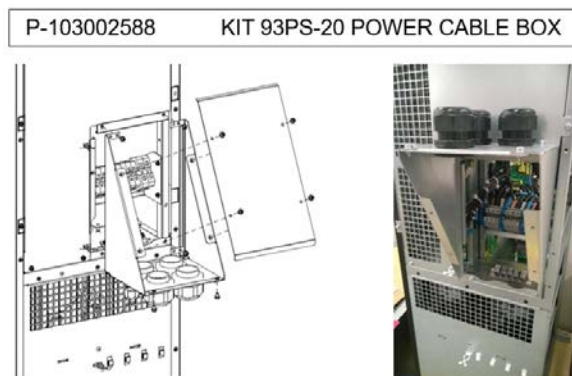


Figure 2 15/20 kW frame

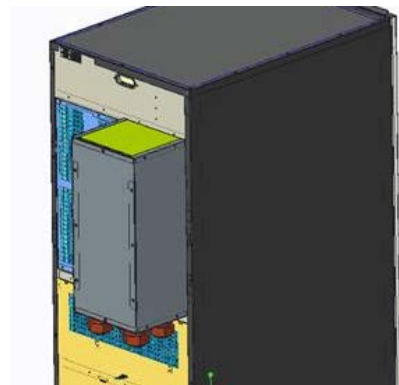
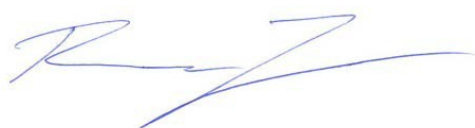


Figure 3 30/40 kW frame

If you need additional information, feel free to reach out (rabbejohansson@eaton.com).

BR,



Rabbe Johansson
Product Manager, Small 3ph UPS